



# ST

## ST 18-A7W

Bracket M18 axial AISI316L

## TECHNICAL FEATURES

### Application

#### Description

Stainless steel AISI316L (DIN 1.4404) axial mount bracket for M18 cylindrical sensors

#### Usable with

M18 cylindrical sensors

#### Installation

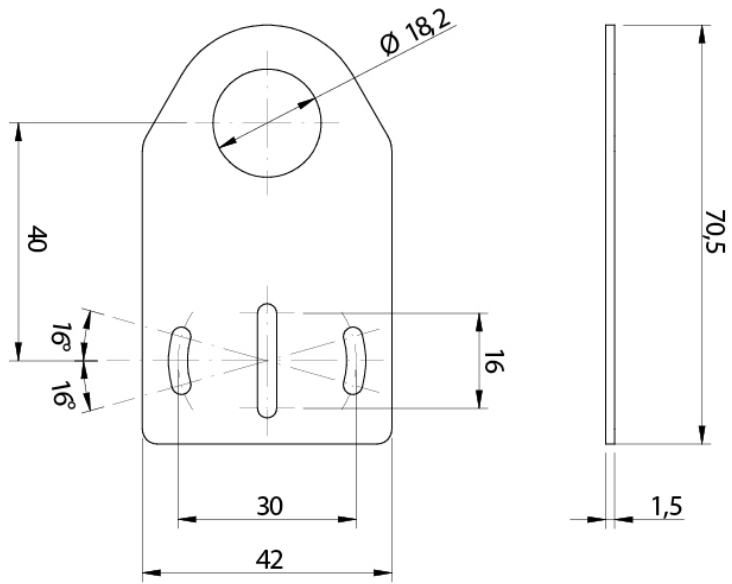
Mounting with M4 screws

#### Functions

M18 sensors

## OTHERS

### Dimensions



**Datasensing  
S.r.l.**

Strada S.Caterina, 235  
41122 Modena (MO)  
Tel. 059 420411  
Fax 059 253973  
E-mail  
info@datasensing.com

**date of  
printing**  
12/05/2026  
14:52:42